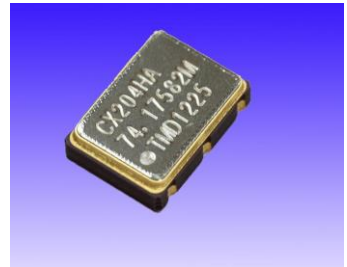


- 7.0x5.0mm SMD VCXO CMOS OUTPUT -

Type : CX207 series

RoHS

- Frequency : 10MHz to 80MHz
- CMOS Output, E/D Function
- Wide pulling range (± 150 ppm typ@74.175MHz)
- AT cut fundamental crystal and seam weld



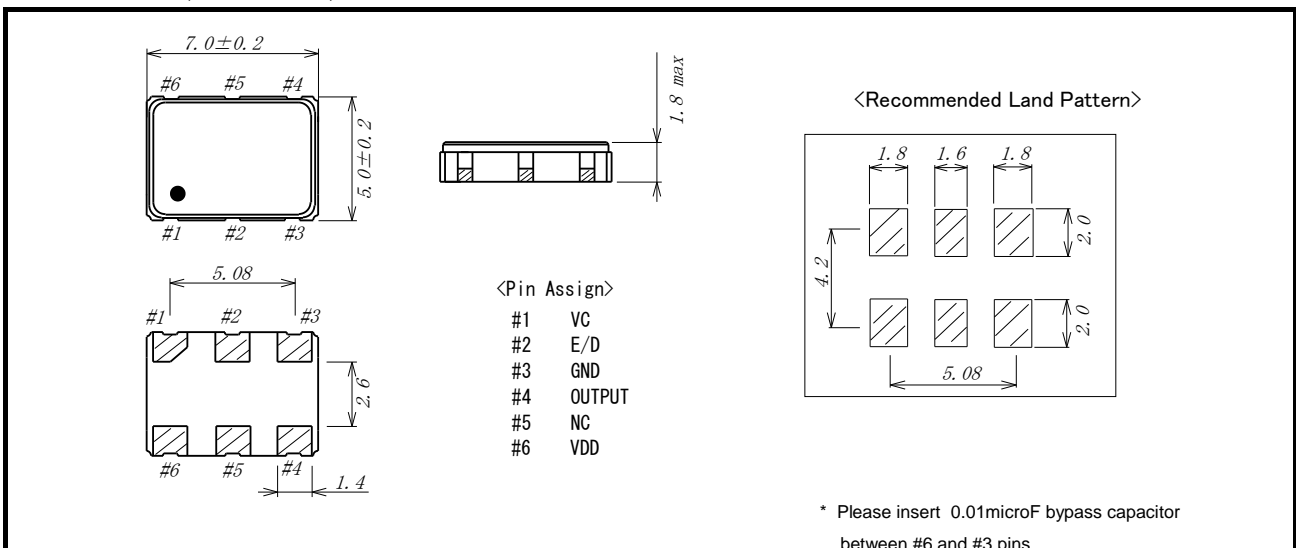
Output Level	CMOS
Supply Voltage	+5.0Vdd \pm 5%
Size	7.0 \times 5.0 \times 1.8mm

- Electrical Specifications -

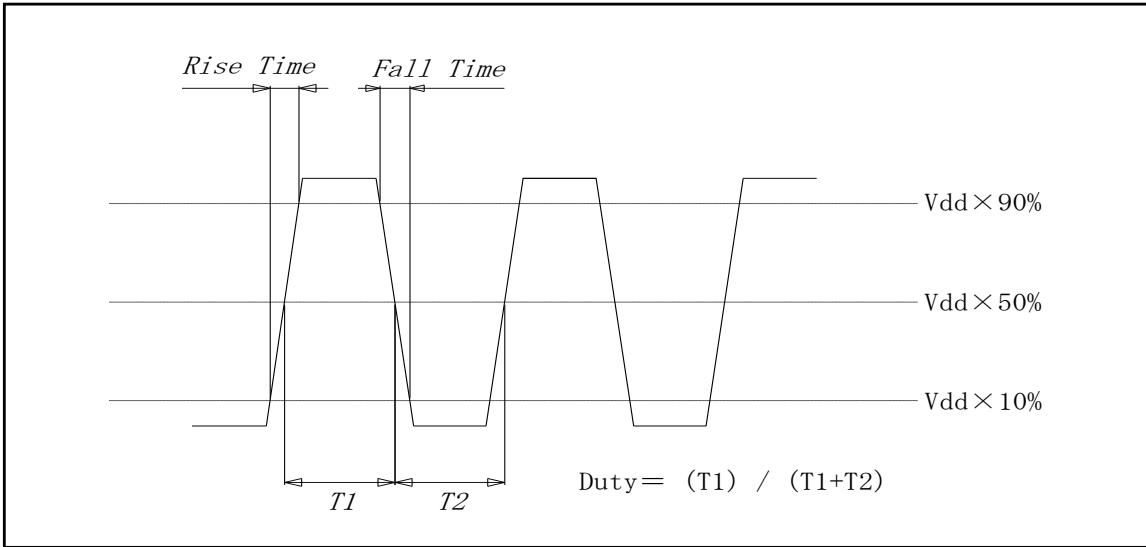
Item	Condition	MIN	TYP	MAX	Unit
Frequency Range		10	-	80	MHz
Supply voltage	+5.0V \pm 5%	+4.75	-	+5.25	V
Frequency Stability (Including Ope.Temp. Aging of 1st year)	Option :G	-	-	\pm 20	PPM
	Option :A	-	-	\pm 25	PPM
	Option :H	-	-	\pm 30	PPM
Operating Temperature	Option : S	0	-	+70	deg.c
	Option : A	-20	-	+70	deg.c
	Option : B	-40	-	+85	deg.c
	Option : C	-10	-	+70	deg.c
Pulling Range	VC = +2.5V \pm 2.0V	\pm 100	\pm 150	-	PPM
Control Voltage	+2.5V \pm 2.0V	+0.5	-	+4.5	V
VC Characteristics:	-	Positive			-
Input Impedance	Vcon to Gnd	100k	-	-	Ohm
Modulation bandwidth	3dB max / Ref@1KHz	10k	-	-	Hz
Storage Temperature	Parts only	-50	-	+125	deg.c
Output Level	VOH	Vdd-0.4	-	-	V
	VOL	-	-	0.4	V
Rise & Fall Time	10MHz to 59.9MHz / CL=15pF	-	-	8.0	ns
	from 60MHz / CL=15pF	-	-	5.0	ns
Duty	@ 1/2 Vdd	45	-	55	%
Current	CL=15pF	-	-	20	mA
Output Load	CMOS	15			pF
RMS Jitter	12kHz to 20MHz Offset @74.175MHz	-	0.13	-	ps
Start-up Time		-	-	10	ms
E/D Function	#2pin = Hi or Open : Enable / Low : Disable				

* Regarding to the not developed frequency, it will take long time for 1st delivery.

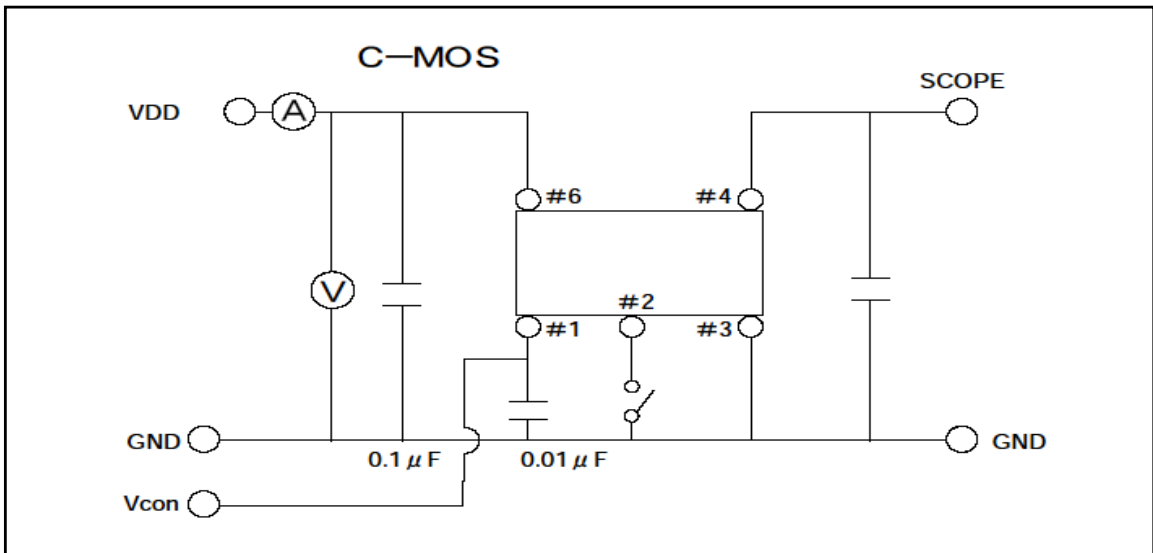
● Dimension (Unit: in mm)



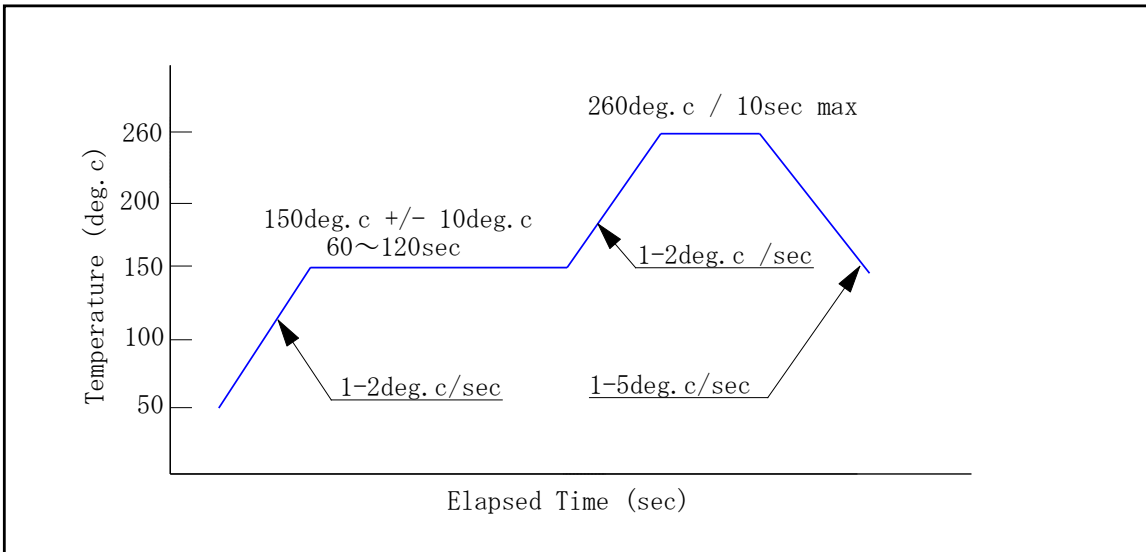
● Wave Form



● Test Circuit

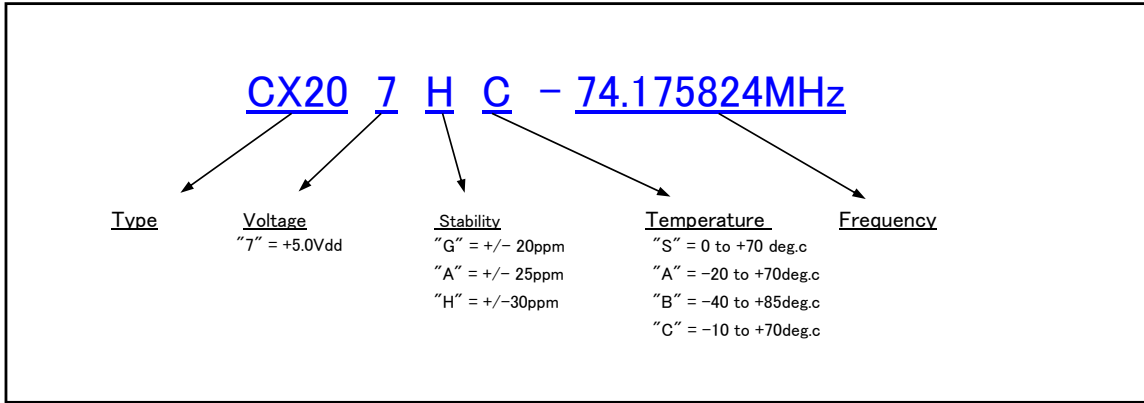


● Reflow profile

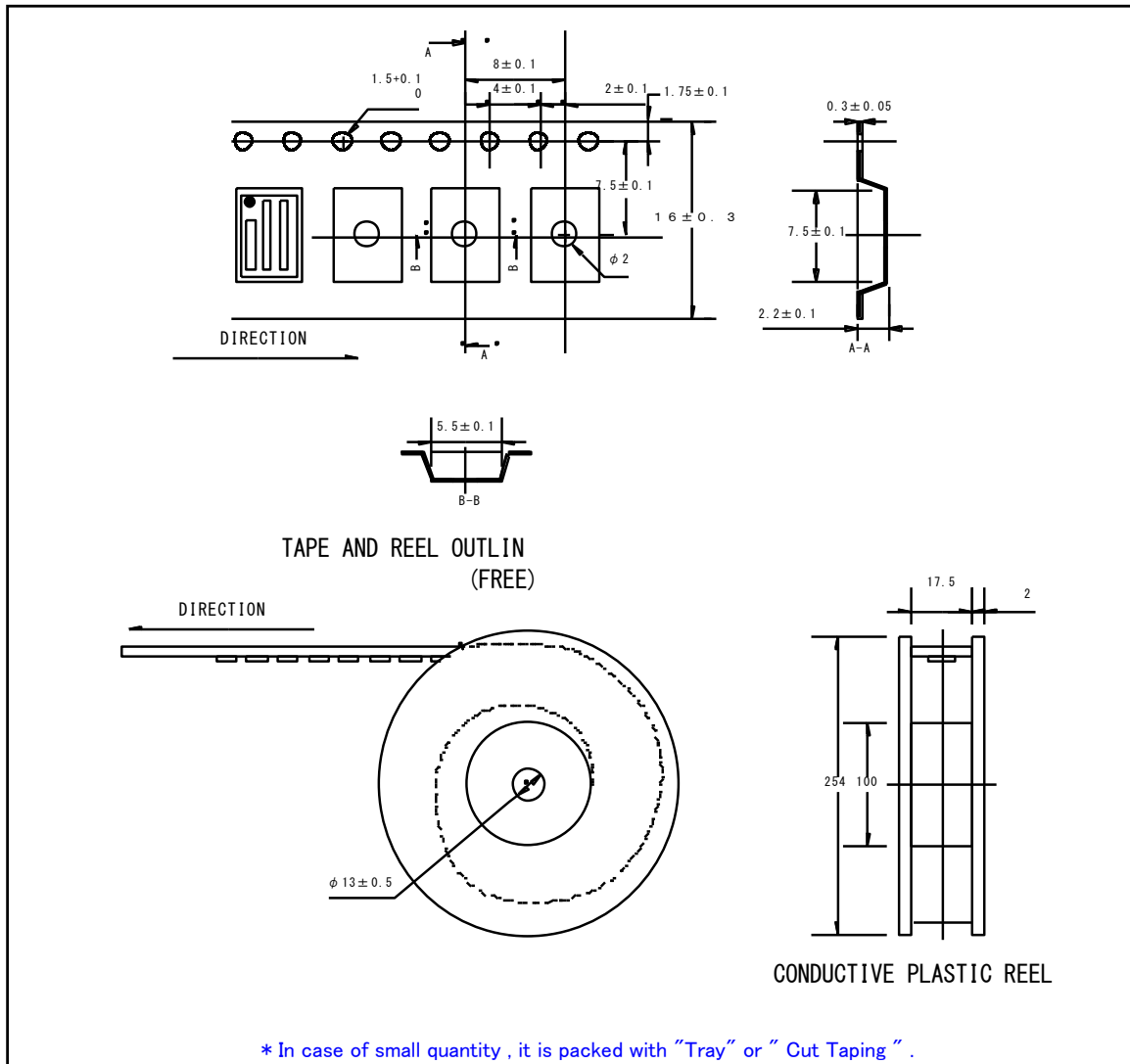


- * The reflow process can be allowed until 2 times.
- * In case of manual soldering ; using soldering iron at +360deg.c +/-20deg.c , within 3sec (per each 1pad)
- * This product includes CMOS device, then please handle it with protected process against ESD.

● How to define Model Number



● Taping & Reel dimension



2015.10.06 Rev.A1

TamaDevice

Solution & Development

(URL) <http://www.tamadevice.co.jp>

(E-MAIL) info@tamadevice.co.jp

(TEL) +81-44-945-8028 (FAX) +81-44-945-8486