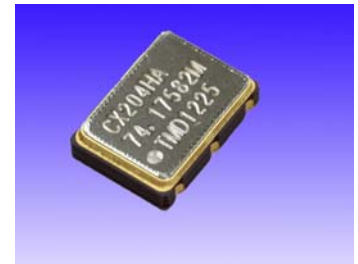


- 7.0x5.0mm SMD VCXO LV-PECL OUTPUT -

Type : CP304xx-1DA series

RoHS

- Frequency : 30MHz to 170MHz
- LV-PECL output, E/D Function
- Low phase noise (-128dBc/Hz @1kHz Typ. Offset)
- AT cut fundamental crystal and seam weld



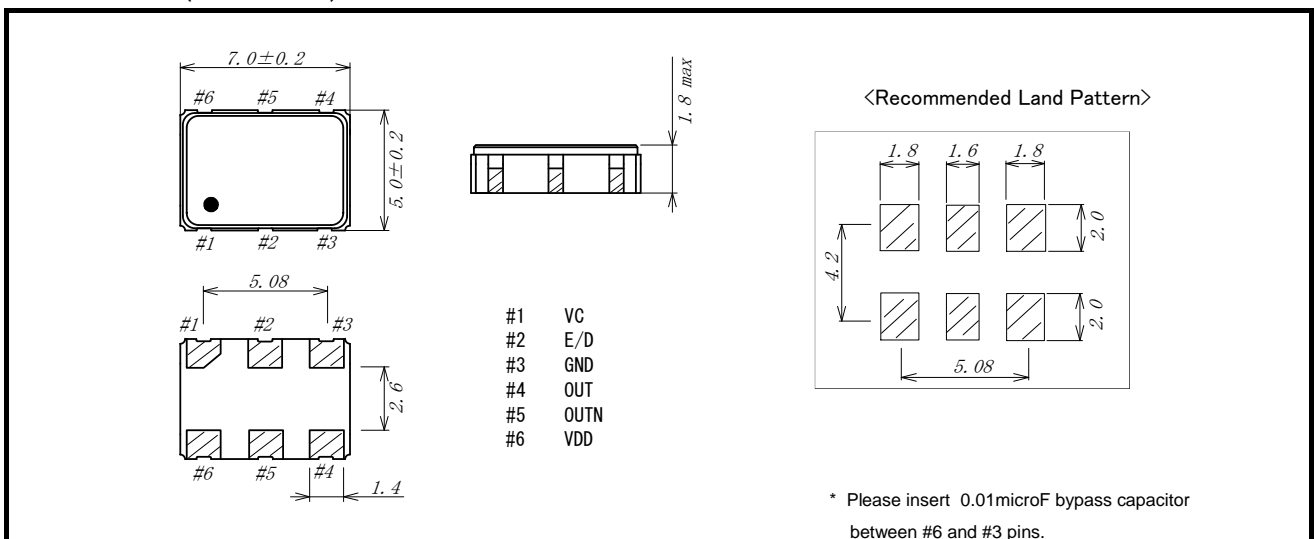
Output Level	LV-PECL
Supply Voltage	+3.3Vdd +/-5%
Size	7.0 x 5.0 x 1.8mm

- Electrical Specifications -

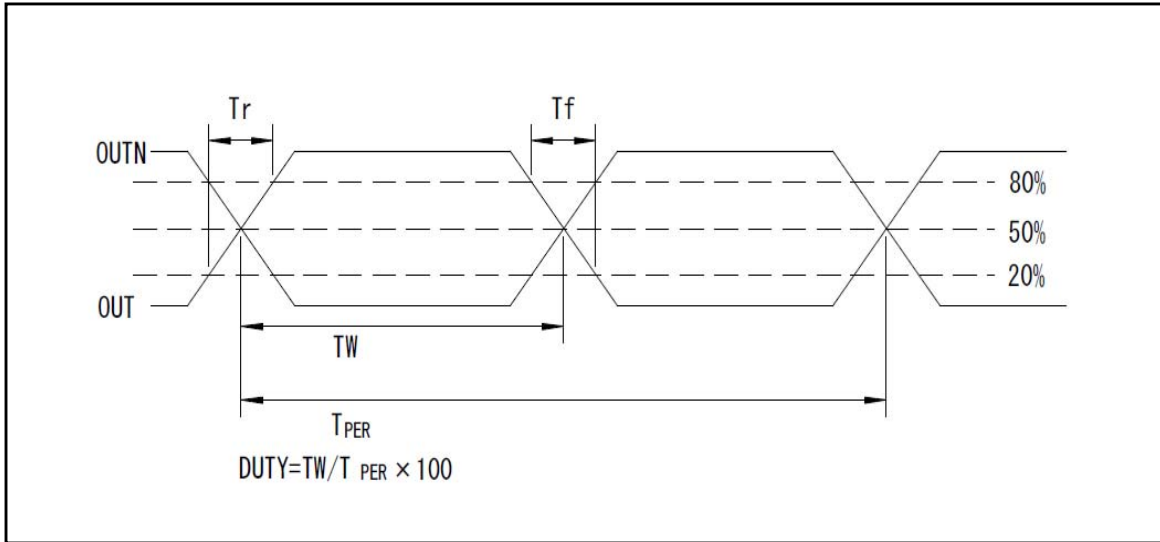
Item	Condition	MIN	TYP	MAX	Unit
Frequency Range		30	-	170	MHz
Supply voltage	+3.3V +/- 5%	+3.135	+3.3	+3.465	V
Frequency Stability (Including Ope.Temp. Aging of 1st year)	Option :A	-	-	+/-25	PPM
	Option :H	-	-	+/-30	PPM
	Option :F	-	-	+/-35	PPM
Operating Temperature	Option : S	0	-	+70	deg.c
	Option : A	-20	-	+70	deg.c
	Option : B	-40	-	+85	deg.c
	Option : C	-10	-	+70	deg.c
Absolute Pulling Range	VC = +1.65V +/-1.5V	+/-50	-	-	PPM
Control Voltage	+1.65V +/-1.5V	+0.15	-	+3.15	V
VC Characteristics:	-	Positive			-
Input Impedance	-	10M	-	-	Ohm
Modulation bandwidth	3dB max / Ref@1KHz	10k	-	-	Hz
Storage Temperature	Parts only	-50	-	+125	deg.c
Output Level	VOH	2.275	-	-	V
	VOL	-	-	1.680	V
Output Load	Vdd-2.0V	-	50	-	Ohm
Rise & Fall Time	20% to 80%	-	0.3	1.0	ns
Duty	@ 1/2 Vdd	45	-	55	%
Current	50Ohm (Vdd-2.0V)	-	-	80	mA
RMS Jitter	12kHz to 20MHz Offset @Fo=122.88MHz	-	0.3	-	ps
Start-up Time		-	-	10	ms
E/D Function	#2pin = Hi or Open : Enable / Low : Disable				

* Regarding to the not developed frequency, it will take long time for 1st delivery.

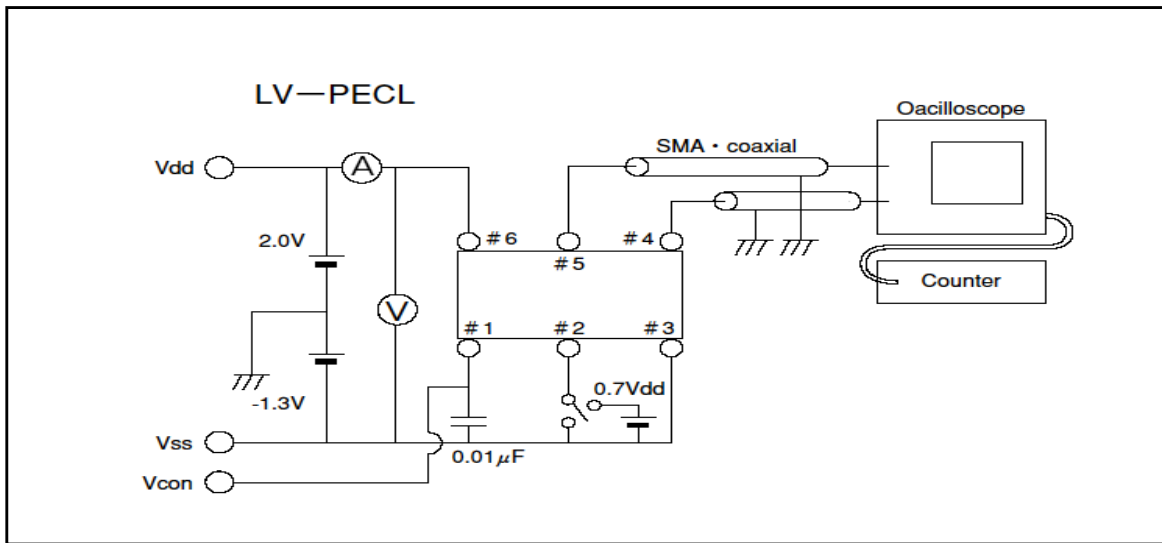
● Dimension (Unit: in mm)



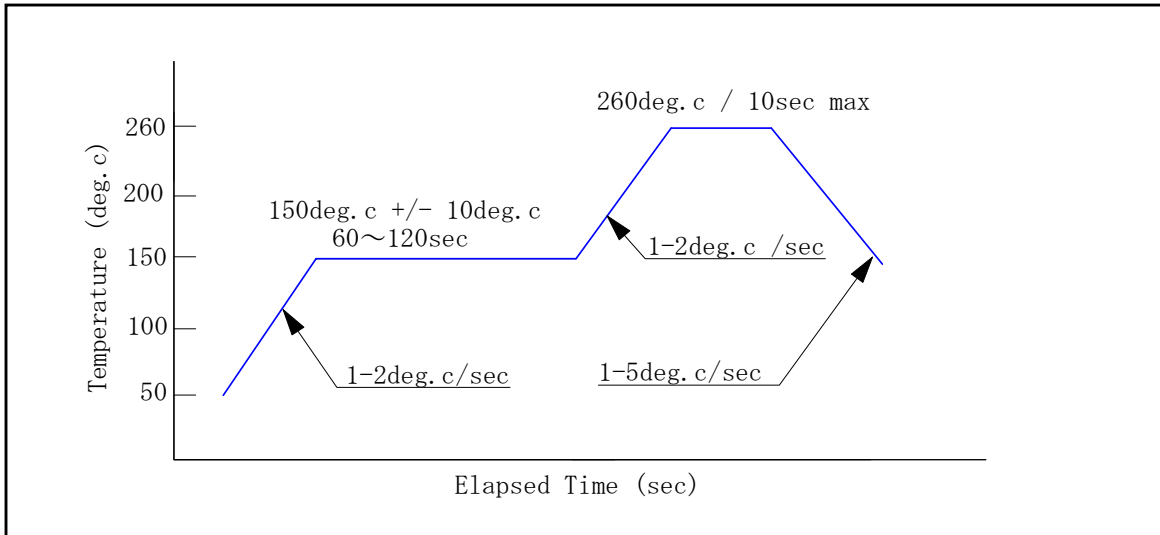
● Wave Form



● Test Circuit



● Reflow profile



- * The reflow process can be allowed until 2 times.
- * In case of manual soldering ; using soldering iron at +360deg.c +/-20deg.c , within 3sec (per each 1pad)
- * This product includes CMOS device, then please handle it with protected process against ESD.

