

Mercury™ / Mercury+™

ネットワークタイミング同期用途向け
小型OCXO ご使用ガイド



日本語訳:株式会社多摩デバイス
(2020年1月6日発行)

RAKON OCXO
(: 2016 05 16)

(Mercury™ 14 x 9 mm) RAKON RFPO40 / RFPO45 (Mercury™ 9 x 7 mm), RFPO50/RFPO55
ROM1490xx (Mercury+™ 14 x 9)

OCXO OCXO OCXO
Mercury™ / Mercury+™ RAKON

Mercury™ / Mercury+™ OCXO
- 40 +85 92

OCXO OCXO
OCXO OCXO

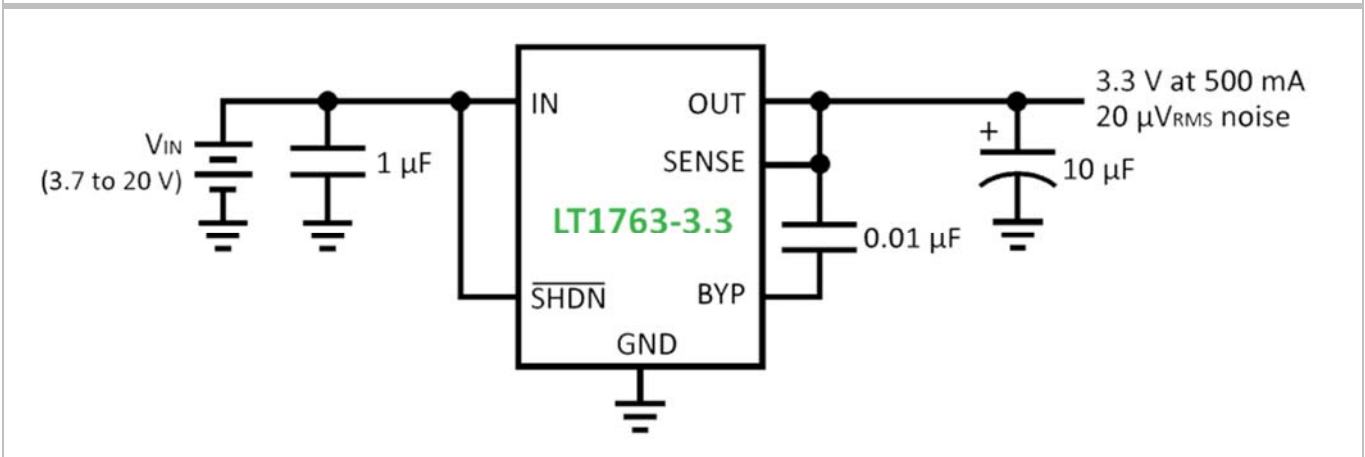
OCXO OCXO

OCXO OCXO
OCXO

Mercury™ / Mercury+™ OCXO

OCXOの電源は低ノイズのレギュレータを介して、外部の電源ノイズをアイソレーションすることを推奨します。
以下(次頁)にリニアテクノロジー者の LT1763シリーズを用いた例を <figure 1> に示します。

Figure 1: 3.3 V Low Noise Regulator



The local supply must be dimensioned in such a way that it can handle the warm-up current of the OCXO. The warm-up power of the OCXO is programmed to limit at a certain value. The standard warm-up and steady-state power consumption limits can be found in following table.

Power consumption	Warm-up	Steady-state at 25°C
RFPO40 / RFPO45, RFPO50 / RFPO55 -20°C to +70°C	Max. 1000 mW (typ. 800 mW)	Max. 350 mW
RFPO40 / RFPO45, RFPO50 / RFPO55 -40°C to +85°C	Max. 1200 mW (typ. 1000 mW)	Max. 400 mW
ROM1490xx -40°C to +85°C	Max. 1500 mW (typ. 1200 mW)	Max. 440 mW

It is also recommended to decouple the supply of the OCXO with a 10 μF capacitor close to the device.

Voltage Control

In case voltage control has been specified it is important to realise that typical gain transfer (K_v) is +8 ppm/V. A small error in the control voltage may result in a considerable frequency error. The high current through the ground lead impedance will cause an error voltage which, if added to the control voltage, will cause a frequency error. Because of this, ground of the control voltage needs to be connected close to the ground of the OCXO. It is recommended that voltage controllable OCXOs are not used for applications that require a fixed frequency OCXO. Rakon can provide a dedicated fixed frequency OCXO instead. If reuse of a voltage controllable part is unavoidable it is imperative that the control voltage (V_c) pin is connected to the correct nominal control voltage as per the OCXO's detail specification.

Output Load

For optimum stability it is recommended to load the output with the nominal load as stated in the detail specification as this load was used during the calibration of the device in production. Depending on the load represented by the input driven, it may be necessary to add an additional capacitor. For example if the combined load of input and tracks is 7 pF and the nominal load is stated as 15 pF then a capacitor of ≈ 8 pF should be added to the output load. If the load exceeds the nominal load (by more than 5 pF) it is recommended to use a fan-out buffer. When testing

the OCXO please be aware that the device cannot drive 50 Ω inputs directly but needs buffering (the Rakon evaluation board can be fitted with a buffer for this purpose).

Thermal Guidelines

Under steady state conditions the OCXO will perform as per the specification. A steady state is reached after a “warm-up” period which includes the oscillator and the circuit board on which it is mounted, under conditions of constant temperature and airflow. For wander compliance testing it is recommended to power-up the board for at least 24 hours (48 hours if parts were soldered recently) before commencing the measurements and to keep the temperature variation within $\pm 1^\circ\text{C}$ (unless otherwise stated in the relevant standard).

A change in the temperature external to the OCXO will result in an increase or decrease of current to the heater, as the oven is trying to maintain a constant internal temperature. This is a critically damped closed loop system and its response will lag the external stimulus resulting in phase and frequency variations (i.e. frequency wander).

For this reason it is best to keep the external temperature fluctuations to a minimum. The main cause of short-term temperature fluctuation is variation in the amount of airflow when fans run at varying speeds or are used intermittently.

Another source of temperature variation is when circuitry in the vicinity of the OCXO is switched on intermittently. This can generate enough heat to disturb the thermal balance. It is best to keep such circuitry away from the oscillator.

As there is no need to cool the OCXO, its short and medium term stability can be greatly improved by thermally isolating it from the environment. Two important factors are board layout and airflow.

Printed Circuit Board Layout Considerations

Apply standard RF practice, keep tracks short and place the oscillator close to the timing circuitry. Use the recommended pad layout as detailed in the specification. Whilst the use of ground and power supply planes is generally a good practice, to avoid thermal energy loss, these planes (copper pours) should not be used underneath the OCXO in any of the layers. For the same reason do not route any tracks underneath the OCXO area. It is recommended to widen this exclusion zone beyond the size of the oscillator by at least an amount equivalent to the thickness of the board used. E.g. if an oscillator with 9.7 x 7.5 mm footprint is used on a 2 mm thick multi-layer board, the track and plane exclusion zone should be at least 13.7 x 11.5 mm. Tracks connecting to the pads should have a width of less than 1 mm to avoid conducting heat away from the OCXO and should not connect to any layer inside the exclusion zone. To further minimise heat transfer between the OCXO and the board it is recommended to cut 1-2 mm wide slots in the board around the OCXO. If it is not possible to implement these recommendations please contact Rakon to discuss potential alternative solutions.

Airflow Considerations

In order to meet the specification the OCXO must be shielded from airflow. Place the oscillator where air flow is low. It may be possible to use tall components or mechanical parts to shield the oscillator locally. If this is not possible or shielding is not sufficient, a plastic or metal draft cover may be placed over the OCXO. Rakon recommends such a cover if the airflow is greater than 0.5 m/s. It is recommended that the cover leaves an air-gap of at least several mm above and around the oscillator. The following graphs show the effect of airflow (at 1 m/s) when switched off and on intermittently. Figure 2 shows Mercury performance without shielding and figure 3 shows the same device with a draught cover in place.

Figure 2:

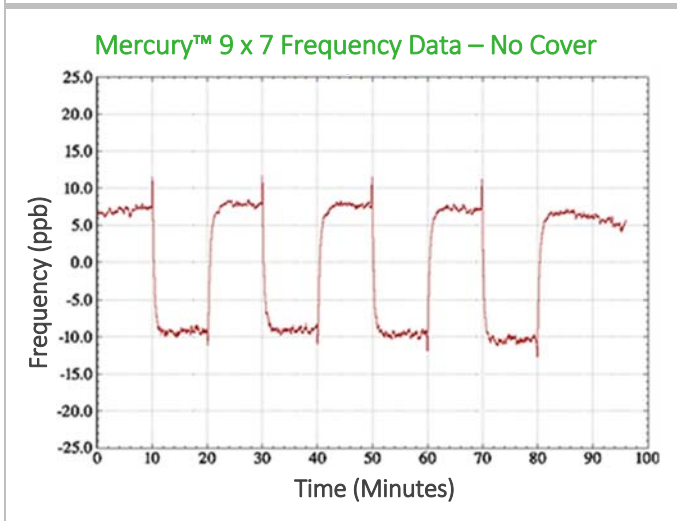
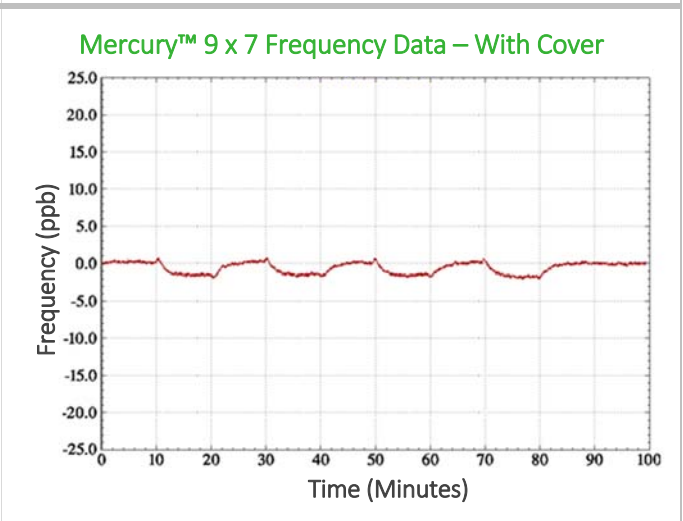


Figure 3:



Rakon can provide the following draught covers to shield the device from air flow:

Product Model	Description (SAP)	Part Number	Material ID	Outline Drawing	Assembly Drawing
RFPO40 / RFPO45 (9 x 7 mm)	Cover (16 x 14 x 11) for Mercury 9 x 7	(82)PCV00018AA3	217864	Figure 4	Figure 5
RFPO50 / RFPO55 (14 x 9 mm)	Cover (21 x 16 x 11) for Mercury 14 x 9	(82)PCV00018AA4	217865	Figure 6	Figure 7
ROM1490xx (14 x 9 mm)	Cover (21 x 16 x 11) for Mercury 14 x 9	(82)PCV00018AA4	217865	Figure 6	Figure 7

The covers need to be secured with adhesive. Any adhesive suitable for bonding components to printed circuit boards can be used. Examples are Loctite 3220 and Epotek TJ1104-LH (formerly known as Epotek 102-104). These examples are provided for information only – users remain responsible for assessing suitability. For proper use of the adhesive please consult the manufacturer's Technical Data sheet and Material Safety Data sheet.

Reflow Soldering

The parts are suitable for reflow soldering with a lead-free process provided the temperature profile is compatible with the one included in the oscillator's specification. Note RFPO40 / RFPO45 and RFPO50 / RFPO55 are non-hermetic and cleaning liquid may become trapped after cleaning. We do not recommend cleaning this product as trapped moisture and/or residue may degrade the performance. ROM1490xx is a hermetically sealed product and is washable.

Figure 4: RFPO40 / RFPO45 Cover Outline Drawing

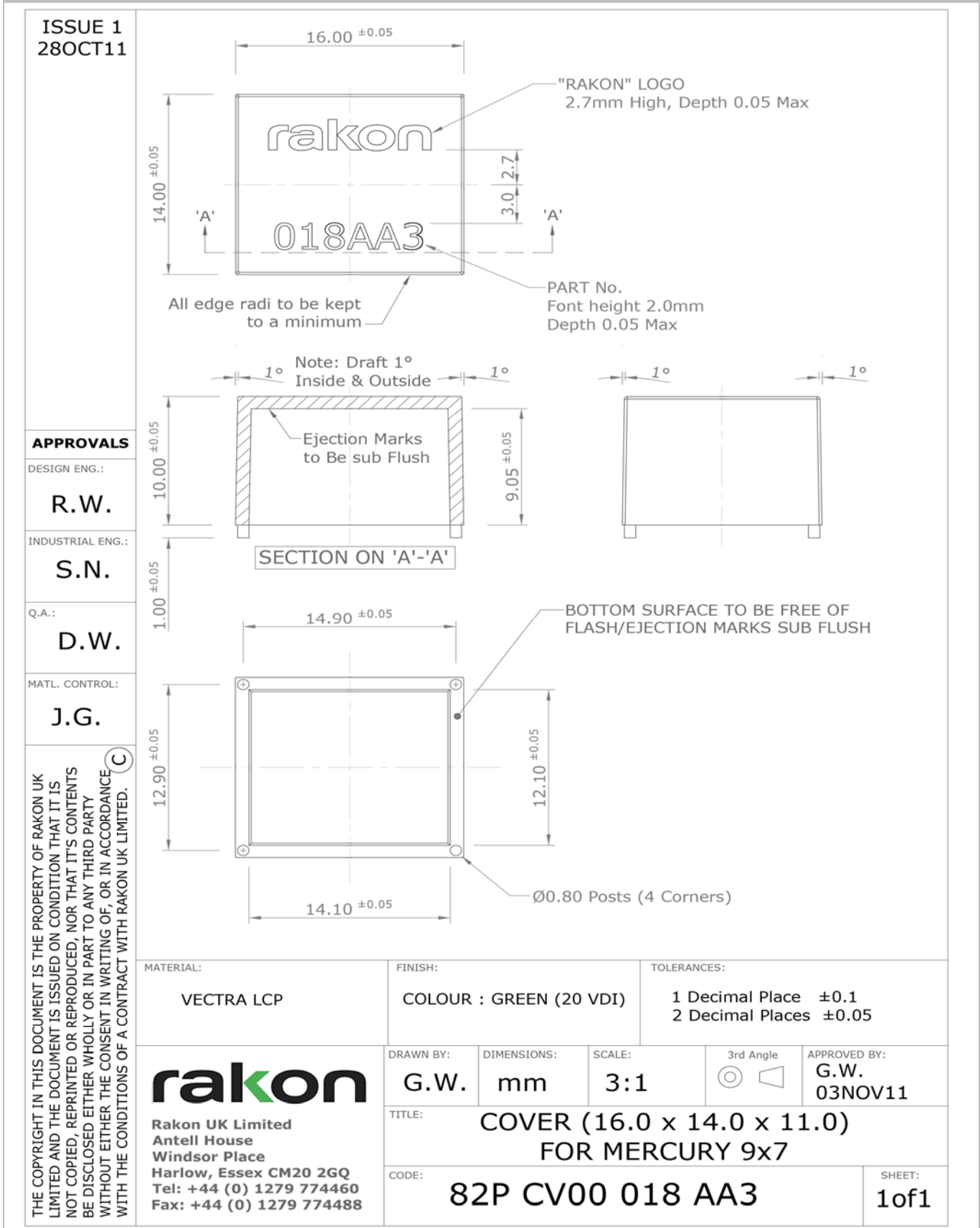


Figure 5: RFPO40 / RFPO45 Model and Cover Assembly

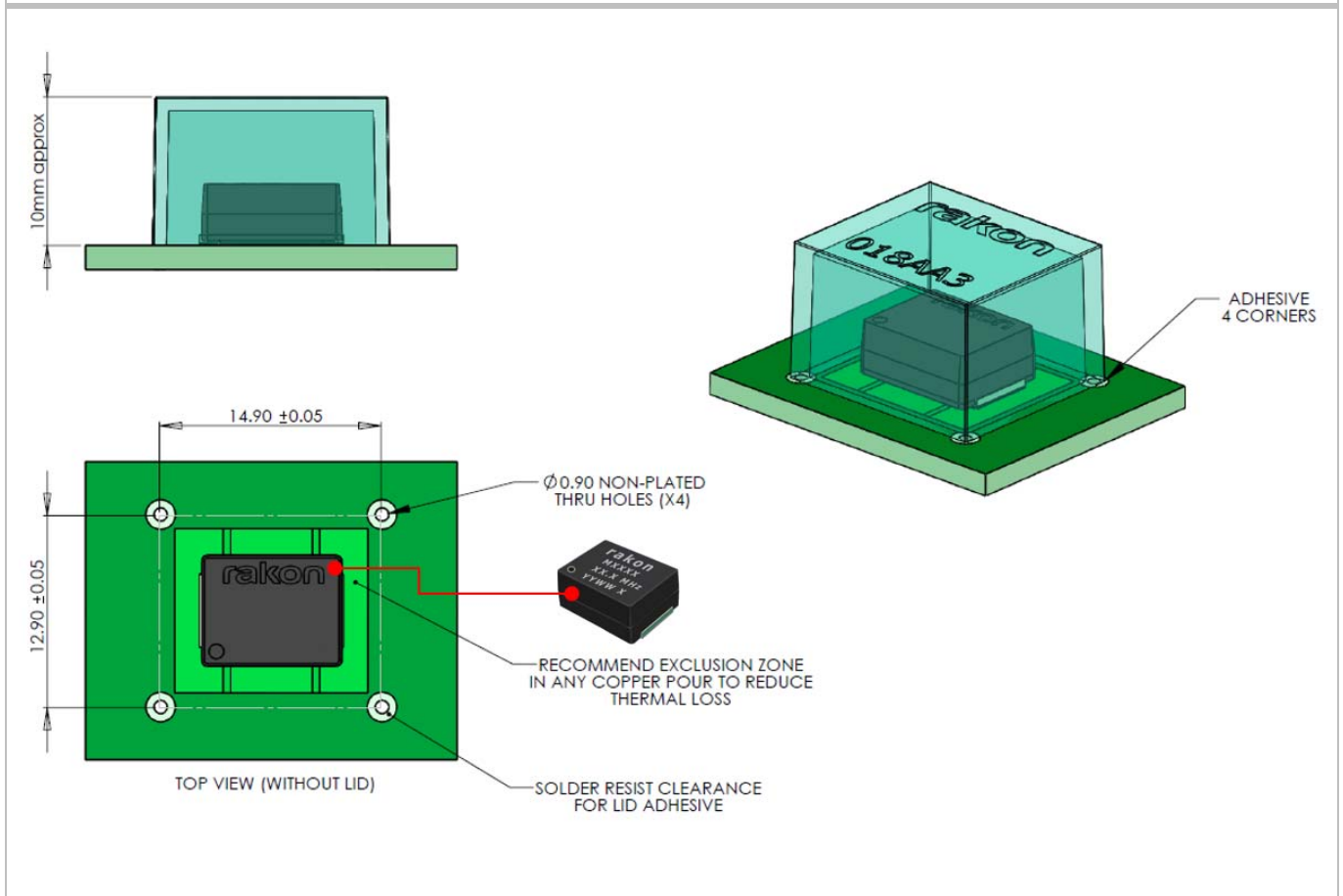


Figure 6: RFPO50 / RFPO55 / ROM1490xx Cover Outline Drawing

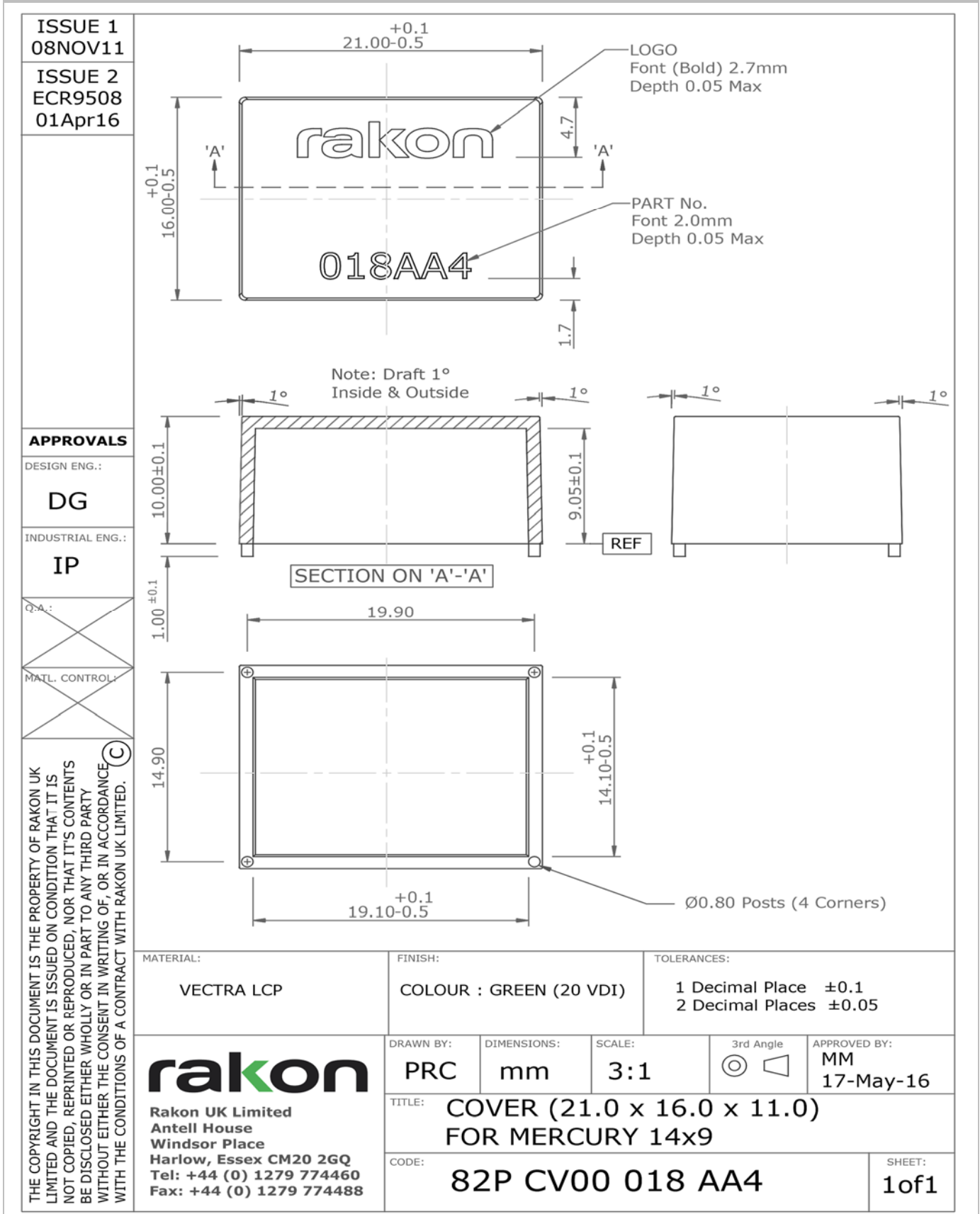


Figure 7: RFPO50 / RFPO55 / ROM1490xx Model and Cover Assembly

