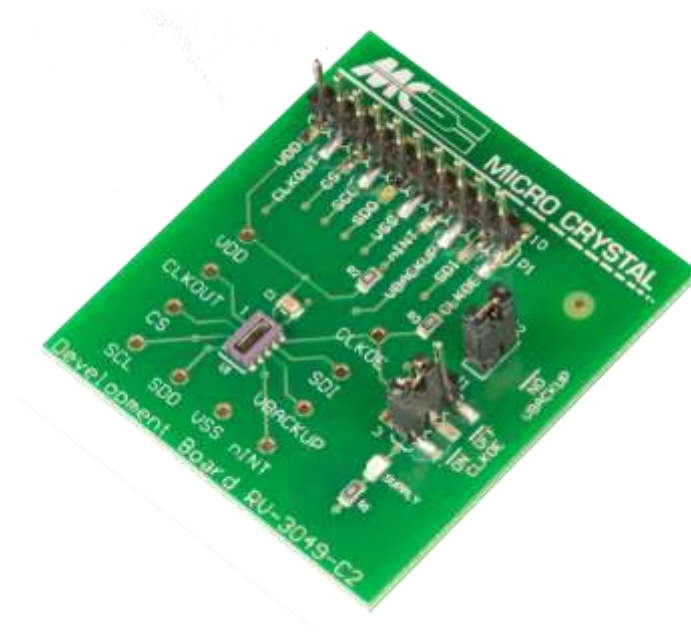


# DEVELOPMENT BOARD



# RV-3049-C2

Temperature Compensated Real-Time Clock / Calendar Module

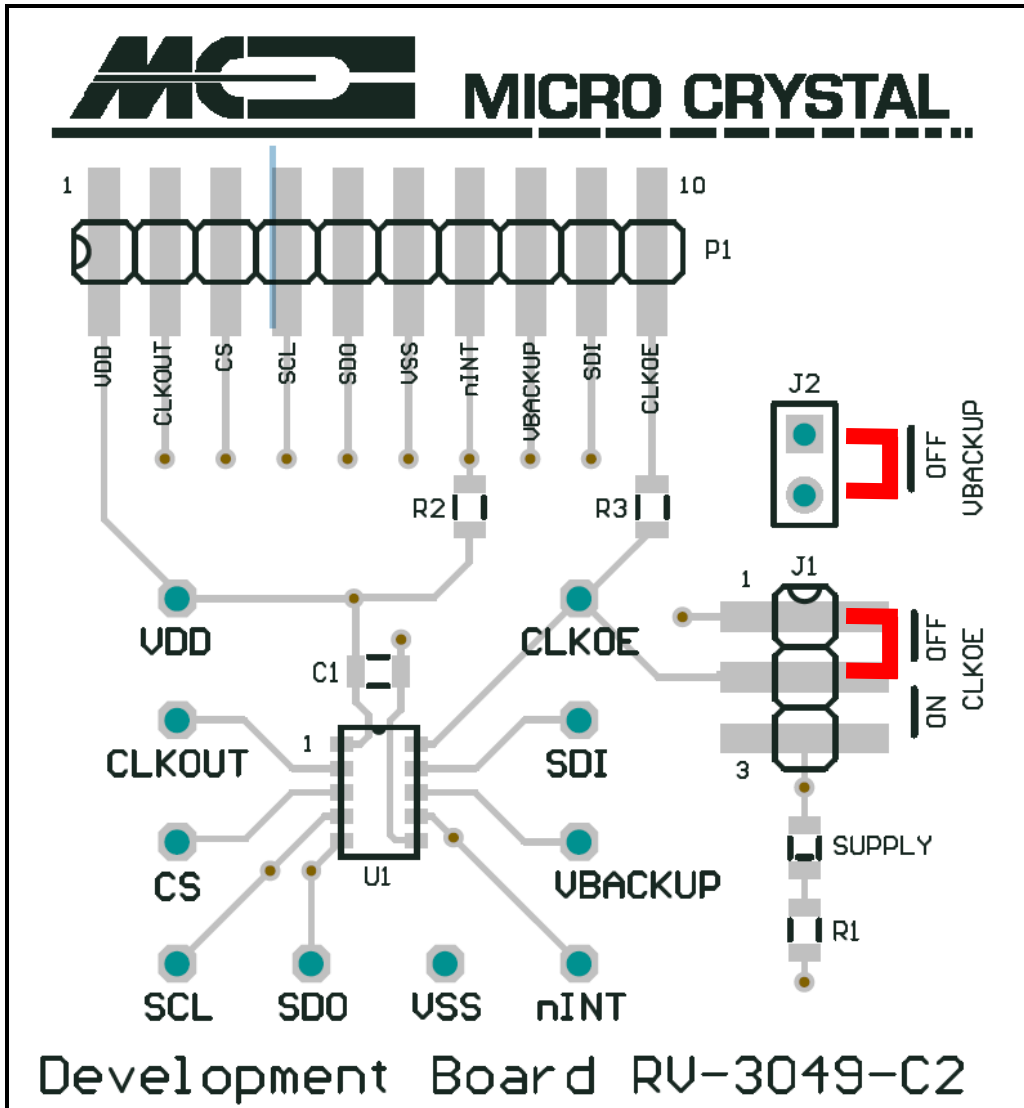
### RV-3029-C2

The RV-3029-C2 is soldered onto the Development Board.  
 Every pin is either accessible at test pins 1 – 10 or at the test vias situated around the device.

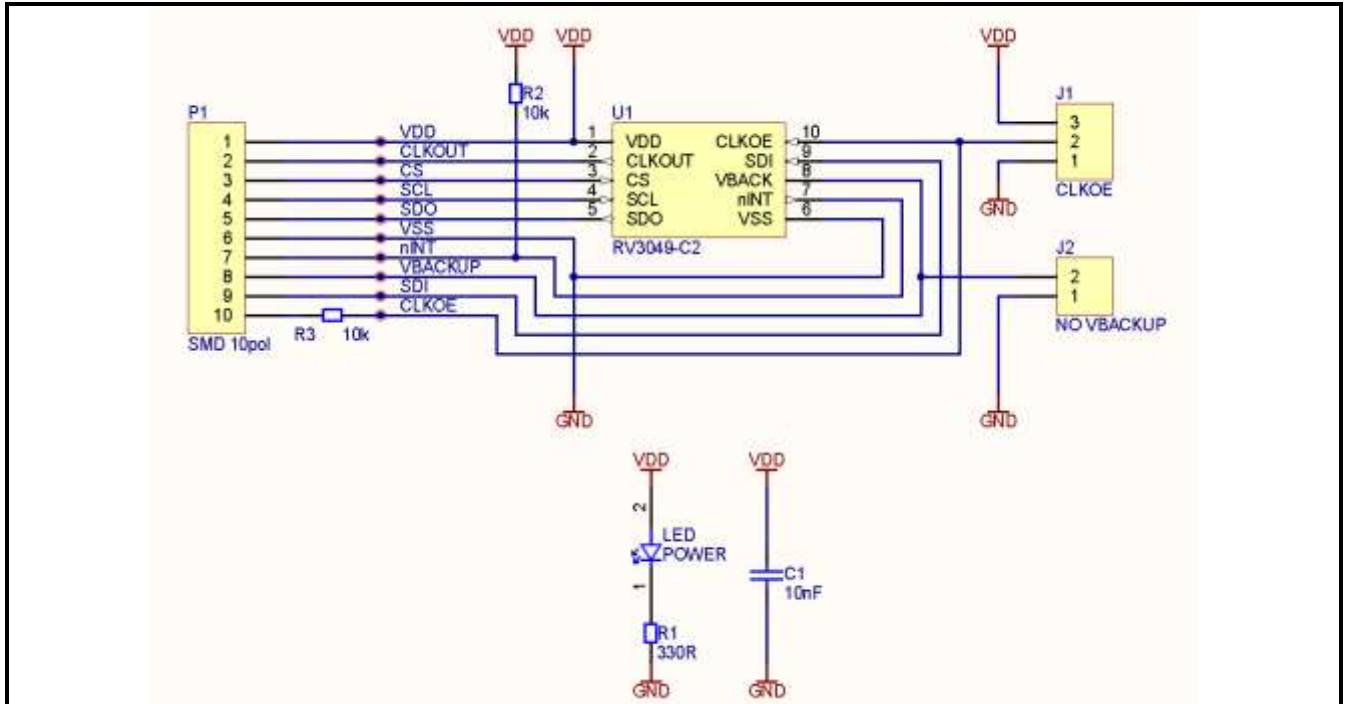
The following passive components are already soldered on the Board:

- C1 10 nF Decoupling capacitor between V<sub>SS</sub> and V<sub>DD</sub>
- R1 330 Ω current limiting resistor for LED
- LED green Supply, current consumption of the LED has to be considered
- R2 10 k Ω Pull-up resistor INT to V<sub>DD</sub>
- R3 10 k Ω Protection resistors to prevent short-circuit between external CLKOE signal and jumper.

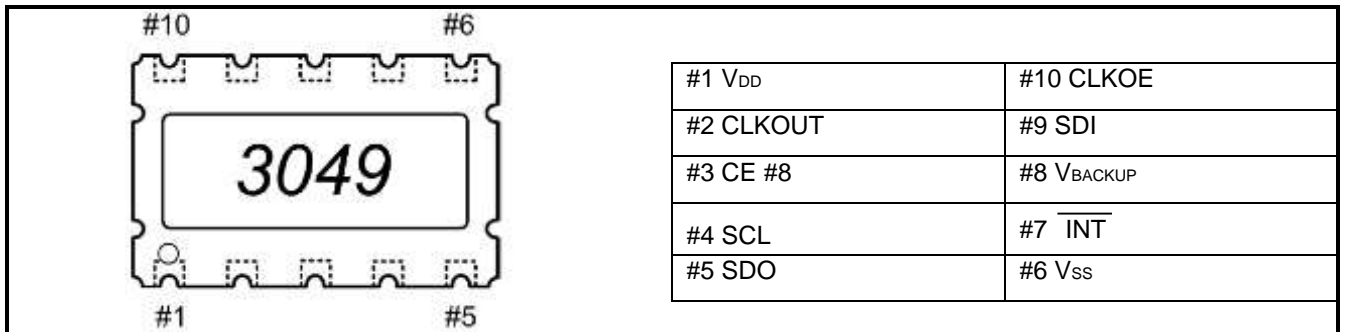
#### DEVELOPMENT BOARD



**SCHEMATICS**



**PINOUT RV-3029-C2**



**PIN DESCRIPTION**

Symbol	Pin #	Description
V <sub>DD</sub>	1	Positive supply voltage; positive or negative steps in supply voltage may affect oscillator performance recommend 10 nF decoupling capacitor close to device
CLKOUT	2	Clock Output pin; open-drain
CE	3	Chip Enable input; active HIGH; with internal pull-down
SCL	4	Serial Clock Input pin; may float when CE inactive
SDO	5	Serial Data Output pin; push-pull; high-impedance when not driving; can be connected to SDI for single-wire data line
V <sub>SS</sub>	6	Ground
INT	7	Interrupt output pin; open-drain; active LOW
V <sub>BACKUP</sub>	8	Backup Supply Voltage; tie to GND when not using a backup supply voltage
SDI	9	Serial Data Input pin; may float when CE inactive
CLKOE	10	CLKOUT enable/disable pin; enable is active HIGH