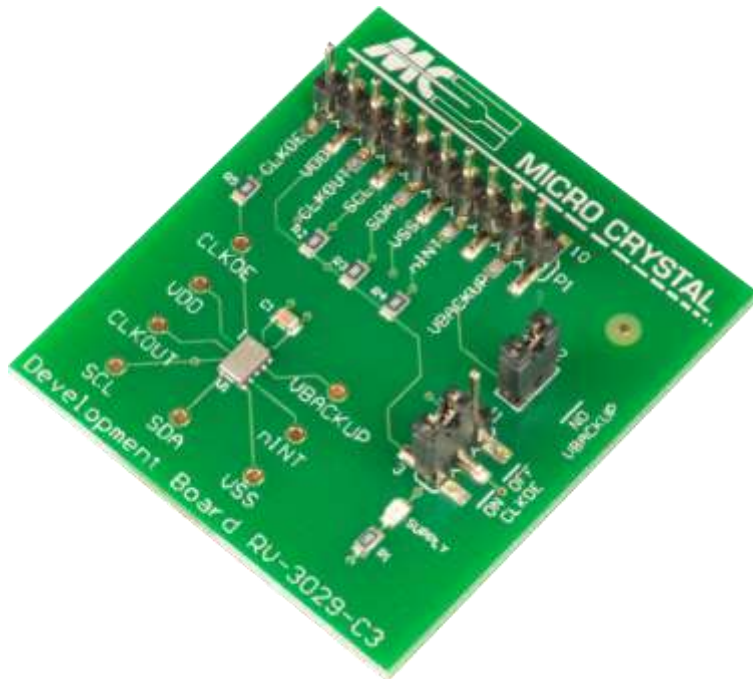


DEVELOPMENT BOARD



RV-3029-C3

Temperature Compensated Real Time Clock / Calendar Module

DATE:	April 2016	Page 1/3	Revision No.: 2
-------	------------	----------	-----------------

Headquarters: Micro Crystal AG
 Muehlestrasse 14
 CH-2540 Grenchen
 Switzerland

Tel. +41 32 655 82 82
 Fax +41 32 655 82 83
 Internet www.microcrystal.com
 Email sales@microcrystal.com

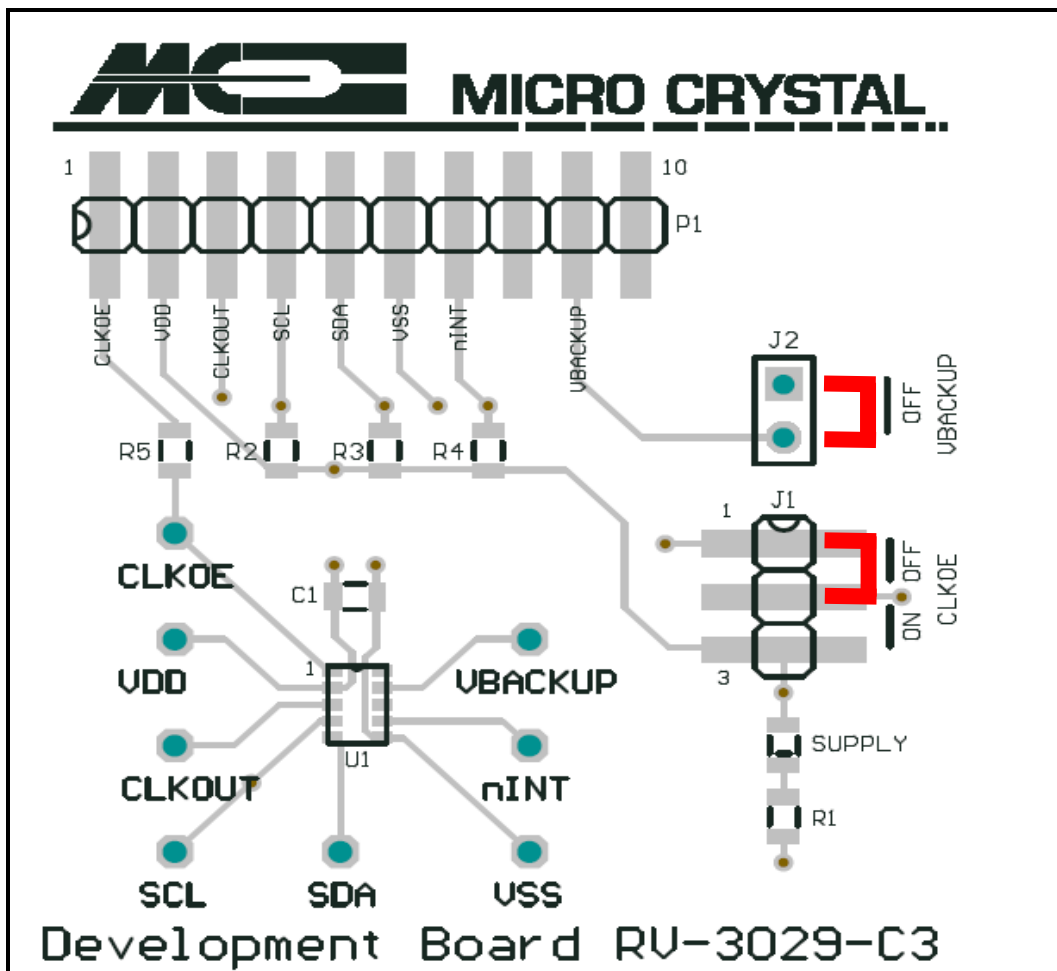
RV-3029-C3

The RV-3029-C3 is soldered onto the Development Board.
 Every pin is either accessible at test pins 1 – 10 or at the test vias situated around the device.

The following passive components are already soldered on the Board:

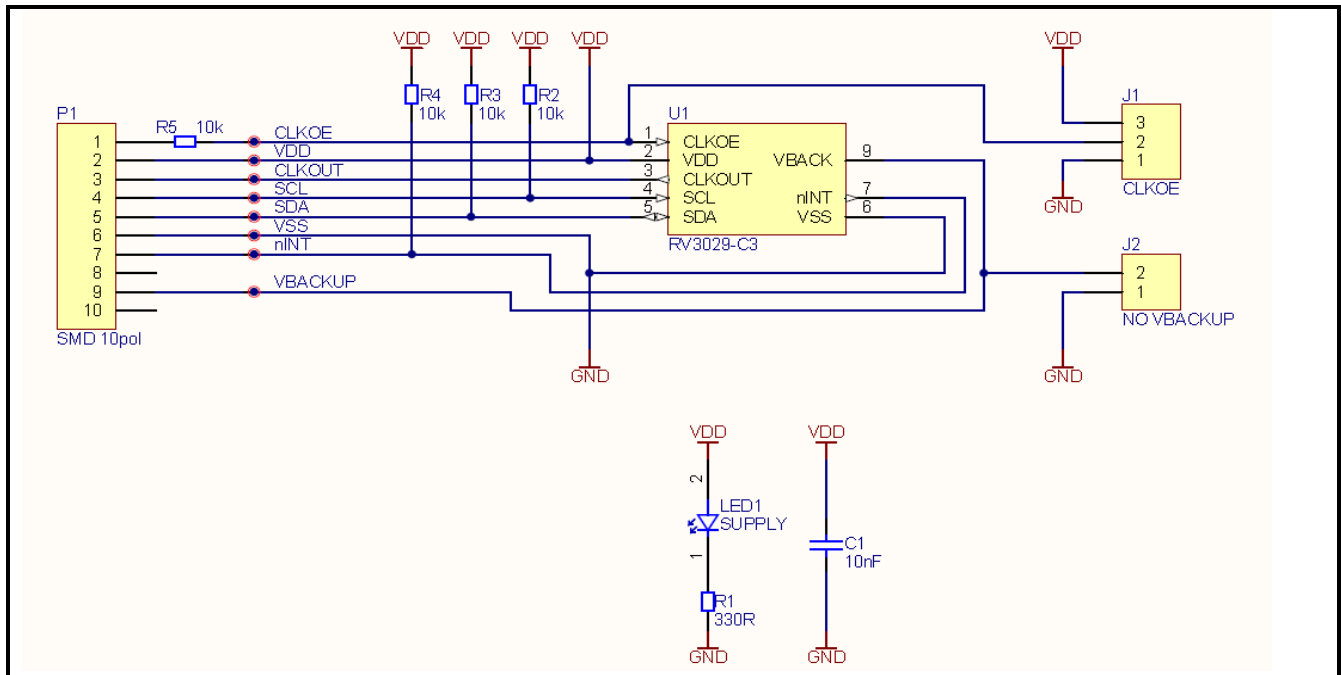
C1	10 nF	Decoupling capacitor between V _{SS} and V _{DD}
R1	330 Ω	current limiting resistor for LED
LED	green	Supply, current consumption of the LED has to be considered
R2	10 kΩ	Pull-up resistor SCL to V _{DD}
R3	10 kΩ	Pull-up resistor SDA to V _{DD}
R4	10 kΩ	Pull-up resistor INT to V _{DD}
R5	10 kΩ	Protection resistor to prevent short-circuit between external CLKOE signal and Jumper.

DEVELOPMENT BOARD

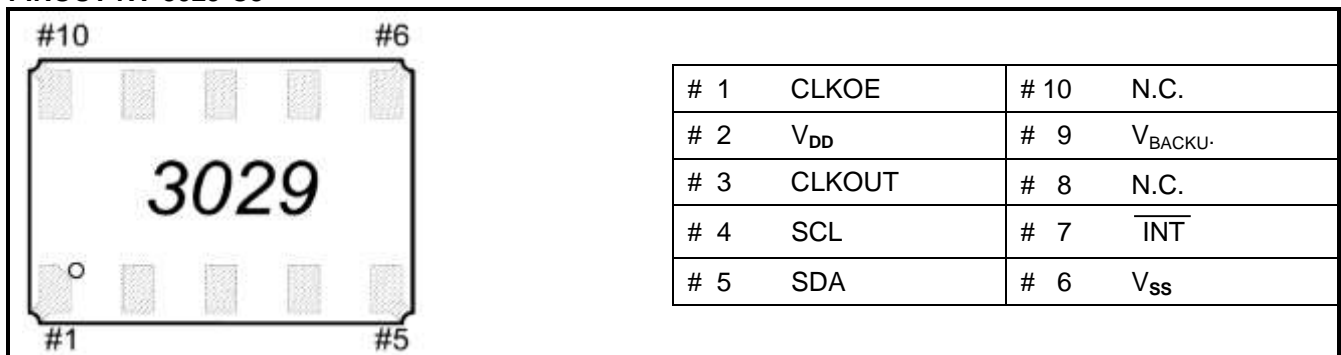


- JUMPER 2
- $V_{\text{BACKUP}} = \text{GND}$
- JUMPER 1
- CLKOE = LOW
- CLKOE = HIGH

SCHEMATICS



PINOUT RV-3029-C3



PIN DESCRIPTION

Symbol	Pin #	Description
CLKOE	1	CLKOUT enable/disable pin; enable is active HIGH; tie to GND when not using CLKOUT
V _{DD}	2	Positive supply voltage; positive or negative steps in supply voltage may affect oscillator performance, recommend 10 nF decoupling capacitor close to device
CLKOUT	3	Clock Output pin. CLKOUT or INT function can be selected.(Control_1; bit7; CLK/INT) CLKOUT output push-pull / INT function open-drain requiring pull-up resistor
SCL	4	Serial Clock Input pin; requires pull-up resistor
SDA	5	Serial Data Input-Output pin; open-drain; requires pull-up resistor
V _{SS}	6	Ground
$\overline{\text{INT}}$	7	Interrupt Output pin; open-drain; active LOW
NC	8	Not Connected; internally used for test, do not connect other signals then ground.
V _{BACKUP}	9	Backup Supply Voltage; tie to GND when not using a backup supply voltage.
NC	10	Not Connected; internally used for test, do not connect other signals then ground.

Datasheet and Application-Manual are available for download under: www.microcrystal.com