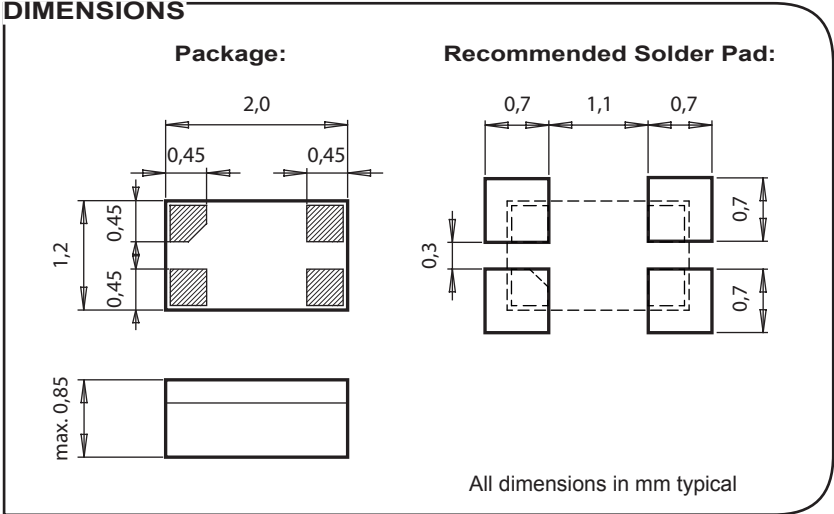
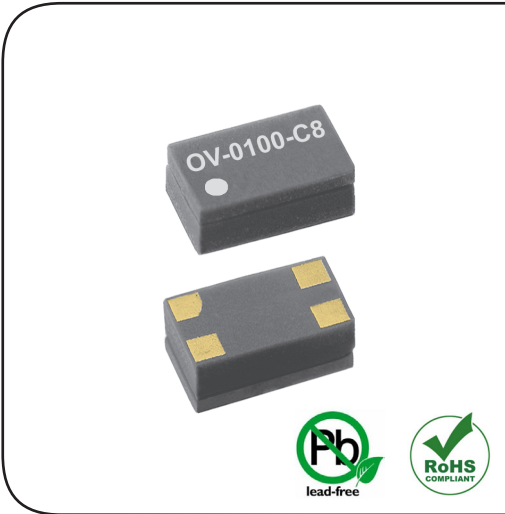


# OV-0100-C8

## Low Power Clock Oscillator 100.000 kHz



**APPLICATIONS**

- Metering
- Industrial
- Automotive
- Health Care
- Medical Implantable

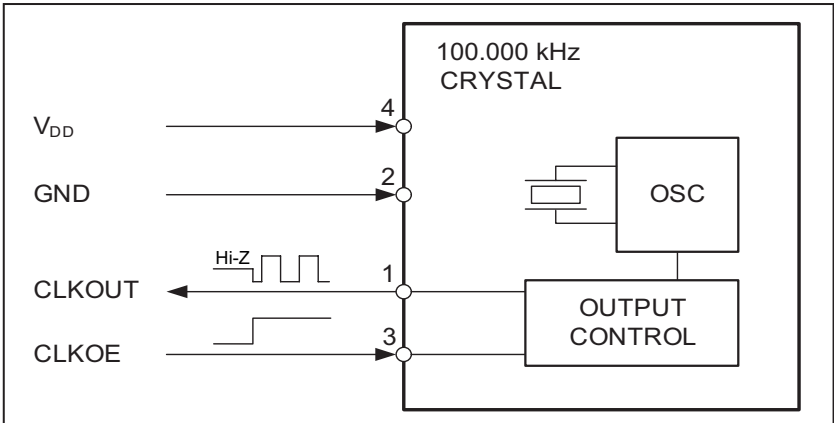
**DESCRIPTION**

The OV-0100-C8 is a Low Frequency SMT Oscillator that incorporates an integrated CMOS circuit together with an XTAL. It operates under vacuum in a hermetically sealed ceramic package with ceramic lid.

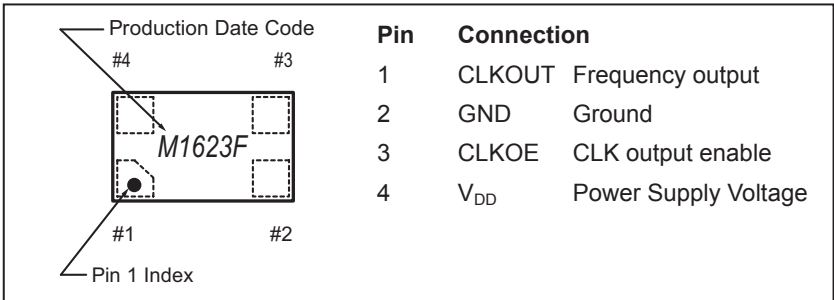
**FEATURES**

- Wide supply voltage range.
- Very low power consumption.
- CLKOUT enable/disable.
- Small size, low profile, lightweight (6.0 mg).
- High shock and vibration resistant.
- 100% Pb-free, RoHS-compliant.
- Automotive qualification according to AEC-Q200 available.

**BLOCK DIAGRAM**



**PIN CONNECTIONS TOP VIEW**



## ELECTRICAL CHARACTERISTICS AT 25°C

More detailed information can be found in the Application Manual.

Output Frequency	F	100.000	kHz
Frequency tolerance	<sup>1)</sup> $\Delta F/F$	$\pm 100$	ppm
Supply voltage	$V_{DD}$	1.6 – 5.5	V
Current consumption (typ./max.)	<sup>2)</sup> $I_{DD}$	0.55 / 0.75	$\mu A$
Duty cycle (min./max.)		40 / 60	%
Start up time (max.)	$t_{start}$	0.5	s
Voltage coefficient (max.)		$\pm 3$	ppm/V
Aging first year max. @ 25°C	$\Delta F/F$	$\pm 3$	ppm
Turnover temperature (typ.)	$T_0$	28 $\pm 5$	°C
Frequency vs. temperature	$\Delta F/F_0$	$-0.035 \text{ ppm}/^\circ C^2 (T - T_0)^2 \pm 10\%$	ppm

1) Tighter tolerances on request.

2)  $V_{DD} = 3.0 \text{ V}$ , CLKOE = LOW.

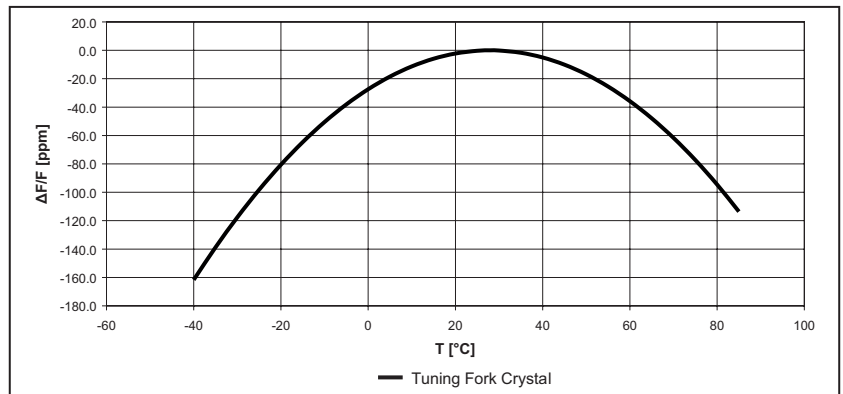
## ENVIRONMENTAL CHARACTERISTICS

		Conditions	Max. Dev.
Storage temp. range		-55 to +125°C	
TA Operating temperature range		-40 to +85°C	
Shock resistance	$\Delta F/F$	5000 g, 0.3 ms, 1/2 sine	$\pm 5$ ppm
Vibration resistance	$\Delta F/F$	20 g / 10–2000 Hz	$\pm 5$ ppm

## TERMINATIONS AND PROCESSING

Type	Termination	Processing
OV-0100-C8	For SMT mounting Au flashed pads	IPC/JEDEC J-STD-020C 260°C / 20 - 40 s

## FREQUENCY TEMPERATURE CHARACTERISTICS



## ORDERING INFORMATION

**O V - 0100 - C8 ±20 ppm TA QC**

**Oscillator**  
**Ceramic lid**  
**Frequency**  
**0100** = 100.000 kHz  
**Package size**  
**C8** = 2.0 x 1.2 x 0.85 mm

**Qualification**  
**QC** = Commercial Grade (Standard)  
**QA** = Automotive Grade AEC-Q200  
**QM** = Medical Grade

**Temperature range**  
**TA** = -40 to +85°C (Standard)

**Frequency tolerance**

A unique part number will be generated for each product specification, i.e:	
20xxxx-MC01	1'000 pcs (in 8 mm tape on 7" reel)
20xxxx-MC03	3'000 pcs (in 8 mm tape on 7" reel)

All specifications subject to change without notice.



MICRO CRYSTAL SWITZERLAND

A COMPANY OF THE SWATCH GROUP

Micro Crystal AG  
Muehlestrasse 14  
CH-2540 Grenchen  
Switzerland

Phone +41 32 655 82 82  
Fax +41 32 655 82 83  
sales@microcrystal.com  
www.microcrystal.com